

620Di and 620DiN with 620REH pumphead

620 series dispensing pumps

Features and benefits

- Keypad entry of flow from 0.001 L/min to 18 L/min
- Dispenses 500 ml to within $\pm 0.5\%$
- Stores up to 50 dispensing programs
- Up to 4 bar pressure
- 2650:1 control ratio (0.1 to 265 rpm speed range)
- Digital speed adjustment with choice of 0.1 rpm, 0.5 rpm, 1 rpm, 2 rpm, 5 rpm and 10 rpm step changes
- Maintenance-free brushless DC motor
- Smooth easy-to-clean enclosure free from bug traps



620Di and 620DiN with 620REH pumphead performance

Flow ranges (L/min)	LoadSure™ element tubing	
(over 0.1 to 265rpm speed range)	620REH (2 rollers)	
Tubing material	12mm	17mm
Marpren TM, Biopren TM	0.003-8.3	0.004-11
Marpren TL, Biopren TL	0.003-8.3	0.005-12
Pumpsil silicone	0.003-8.7	0.004-11
STA-PURE PCS	0.003-9.0	0.010-13
620RE4 dose sizes		
Tube bore	12mm	17mm
Minimum possible dose	16ml	21ml
Minimum recommended	164ml	208ml

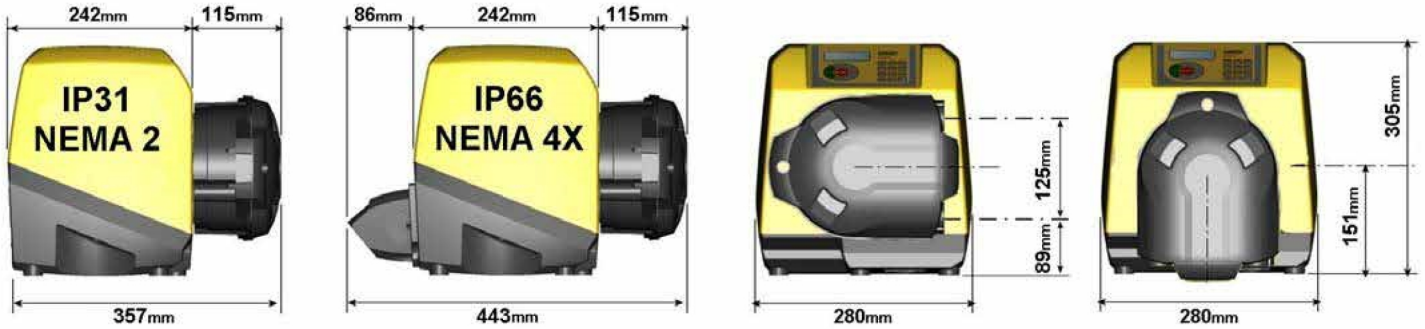
Technical specifications

	620Di and 620DiN with 620REH pumphead
Filling volume range	Up to 500ml in 3.0s ml
Accuracy	$\pm 0.5\%$
Ingress Protection	IP31, IP66, NEMA 2, NEMA 4X
Operating temperature	5 °C to 40 °C (40 °F to 104 °F)
Speed control ratio	2650:1
Humidity	(Condensing) 10 to 100 % RH, (Non-condensing) 80 % up to 31 °C (88 °F) decreasing linearly to 50 % at 40 °C (104 °F)
Noise	<70dB(A) at 1m
Standards	CE, cETLus
Power supply	100 V to 120 V, 200 V to 240 V, 50/60 Hz, Single-phase
Weight	20.1 - 21 kg (44.3 - 46.3 lbs)
Accessories	Footswitch, handswitch, RS232 cable, batch records cable
Compatible tubing size	12.0 mm ID, 12.7 mm ID, 15.9 mm ID, 17.0 mm ID, 6.4 mm ID, 9.6 mm ID

Materials of construction

	620Di and 620DiN with 620REH pumphead
Bearings	Carbon steel
Casework	Pressure die-cast aluminium LM24, Pressure die-cast aluminium LM6
Keypad/HMI	Polyester
Pumphead roller assembly	Nylatron, Stainless steel

620Di and 620DiN with 620REH pumphead dimensions



Control options

Functionality	620Di	620DiN
Enclosure - ingress protection rating	IP31	IP66
Manual control		
Digital speed control with simple calibration to display flow	✓	✓
Choice of flow rate display; metric or imperial units	✓	✓
Numeric keypad for entry of speed, flow or PIN code	✓	✓
Remote control		
Run/stop, direction change, auto/manual mode, leak detector input (via contact closure or 5V TTL to 24V industrial logic)	✓	✓
Remote operation of dosing (foot/handswitch or logic input)	✓	✓
Four programmable digital status outputs through 5V TTL to 24V industrial logic		✓
Analogue speed feedback		
Tachometer output; 0-1478Hz	✓	✓
Digital communication		
Digital network serial control RS232 RS485	RS232	RS485
Specialist dispensing functionality		
Drip control feature (momentary direction reverse at end of dose)	✓	✓
Ramp control to improve accuracy and avoid splashing or frothing	✓	✓
Export of batch records to PC or printer for cGMP requirements RS232	RS232	
Dual operator/supervisor PIN code protection of pump settings	✓	✓

Product codes

Pumpheads		Accessories			
620RE4 MkII head		Footswitch	Handswitch	RS232 cable	Batch records cable
Pumphead only	063.4431.000				
IP31/NEMA 2 wipe-down pumps		IP31	IP31	IP31	IP31
620Di/REH	060.4171.E40*	059.3002.000	059.3022.000	059.3121.000	059.3125.000
* Replace last zero with A, E, U, K, R, D, Z or C for 2.8m American, European, United Kingdom, Australian, Argentinian, South African, Chinese or Swiss mains plug					
IP66/NEMA 4X wash-down pumps		IP55			
620DiN/REH	060.417N.E40**	069.5231.000	n/a	n/a	-
** Replace last zero with A, C, K, R or Z plug type					
Tubing					
	Sanitary LoadSure™ elements (3/4" Tri-clamp PVDF connectors)		Industrial LoadSure™ elements (3/4" Cam & Groove PP connectors)		
	12mm	17mm	12mm	17mm	
STA-PURE PCS	961.0120.PFT	961.0170.PFT	-	-	
Bioprene TM	933.P120.PFT	933.P170.PFT	-	-	
Bioprene TL	933.0120.PFT	933.0170.PFT	-	-	
Marprene TM	-	-	902.P120.PPC	902.P170.PPC	
Marprene TL	-	-	902.0120.PPC	902.0170.PPC	
Pumpsil silicone	913.A120.PFT	913.A170.PFT	913.A120.PPC	913.A170.PPC	
NB: 4 bar pressure capability with Sta-Pure PCS, Bioprene TM and Marprene TM					

Disclaimer: The information in this document is believed to be correct, but Watson-Marlow Flexicon A/S accepts no liability for any errors it contains, and reserves the right to alter specifications without notice. WARNING: These products are not designed for use in, and should not be used for, patient-connected applications. WMArchitect and Accusil are registered trademarks.



wmfs.com/global
14 July 2025